

**FITS
ANYWHERE.
SEES
EVERYTHING.**



64 Series
Covert Network Camera

Key Features

Seemingly Covert and Versatile Surveillance

Hikvision DS-2CD6412FWD is a versatile network cameras which is characterised by its miniature design and HD image quality, offering flexibility and ease of installation even in very limited spaces.

It can be applied in any discreet and covert surveillance, such as ATM, access control, and luxurious store etc.

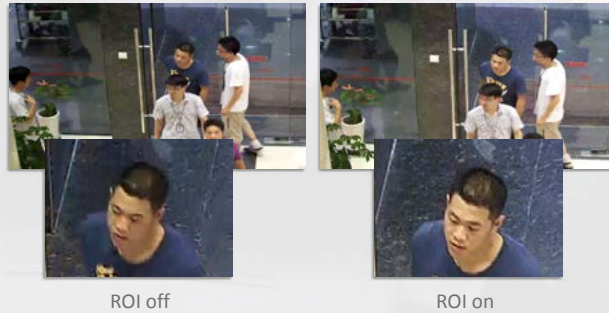
Dual Lens Support

The camera supports dual lens unit, so with one main unit, you get the benefit of two HD WDR cameras – a significant Return on Investment (ROI)!



Extremely Discreet Design

The discreet design concept of Hikvision DS-2CD6412FWD camera comprises of a palm-sized main unit, and thumb-sized lens unit; making it a perfect choice for any covert installations.



ROI Smart Codec

Based on user-defined ROI (region of interest), the camera can decrease a non-ROI's image quality to save maximum bandwidth and device's load.



HD Resolution with True WDR

Hikvision DS-2CD6412FWD camera is the first of its type with true 120dB WDR and other powerful image processing functionalities like 3D DNR and BLC, which allows capturing crystal-clear HD (1280x960) images under any lighting conditions.

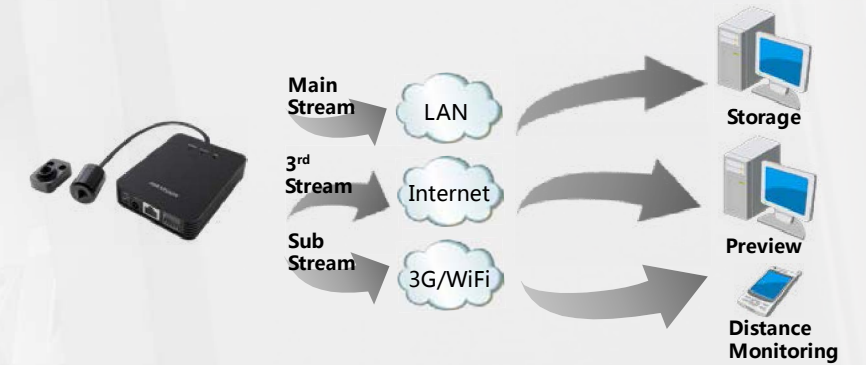
Rotate Mode

The "Rotate Mode" feature is perfect for monitoring narrow corridors, hallways, platforms, tunnels or aisles; as it is optimized for such vertical-shaped areas and eliminates bandwidth and video storage waste.



Multiple Video Streams

Three individually configurable video streams (of which the two can be set up to full resolution) can be delivered for more flexibility.



Rich Interfaces

Equipped with Alarm I/O and Audio I/O interfaces, the products allow user to connect to a variety of external audible & visual alarm devices for further security control purposes.



Various Mounting Options

The DS-2CD6412FWD camera offers various mounting accessories enabling flexible installation.



DS-2CD6412FWD-10/20

DS-2CD6412FWD-11/21

1.3MP WDR Pinhole Single Lens Covert Camera

1.3MP WDR Pinhole Dual Lens Covert Camera

Typical Applications

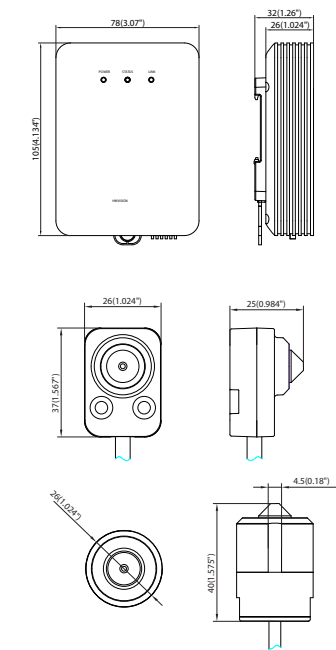
* Product picture and technical specs subject to change without previous notice. For further information, please contact our local sales representatives.



Key Features

- 1280 x 960 high resolution
- 120dB WDR
- ROI codec
- Micro SD/SDXC, up to 64GB
- Triple video streams
- Rotate mode
- Audio & Alarm I/O
- Dual lens unit optional

Dimension (unit: mm)



Available Models



Camera	
Sensor	1/3" Progressive Scan CMOS
Low illumination	Color: 0.01 Lux @(F1.2,AGC ON); 0.04 Lux @(F2.3,AGC ON) B/W: 0.001 Lux @(F1.2,AGC ON); 0.004 Lux @(F2.3,AGC ON)
Shutter time	1/1 to 1/100,000 sec
Slow shutter	Support
Lens	-10/-20: 3.7mm@ F2.3, angle of view: 63°
Lens mount	M12
Day & Night	Electronic
DNR	3D DNR
Wide dynamic range	120dB
Number of lens unit	-10/-20: single lens unit; -11/-21: dual lens unit
Length of lens cable	2m, 8m optional
Compression Standard	
Video compression	H.264 / MPEG4 / MJPEG
H.264 codec profile	Baseline profile / main profile / high profile
Video bit rate	32Kbps ~ 16Mbps
Audio compression	G.711 / G.726 / MP2L2
Audio bit rate	64Kbps (G.711) / 16Kbps (G.726) / 32-128Kbps (MP2L2)
Network	
Storage	Support Micro SD/SDHC/SDXC slot, up to 64GB; Edge recording, NAS(NFS,SMB/CIFS)
Alarm trigger	Motion detection, face detection, dynamic analysis, tampering alarm, network disconnect, IP address conflicts, storage full, storage error
Protocols	TCP/IP, ICMP, HTTP, HTTPS, FTP, DHCP, DNS, DDNS, RTP, RTSP, RTCP, PPPoE, NTP, UPnP, SMTP, SNMP, IGMP, 802.1X, QoS, IPv6, Bonjour
Standard	ONVIF, PSIA, CGI, ISAPI
Common features	Reset, flickerless, three streams, heartbeat, mirror, password protection, video masking, watermark, anonymous login, IP address filtering
Image	
Max. resolution	1280 x 960
Frame rate (main)	50Hz: 25fps (1280x960), 25fps (1280x720) 60Hz: 30fps (1280x960), 30fps (1280x720)
Frame Rate (the third stream)	Independent from the main stream, the maximum support: 50Hz: 25fps (1280 x 960); 60Hz: 30fps (1280 x 960)
Image Settings	Rotate mode(first channel), saturation, brightness, contrast, sharpness and gray scale adjustable
BLC	Yes, zone configurable
Defog	Support
EIS	Support(first channel)
HLC	Support
Day/night mode	Auto / Timing / Alarm trigger
Image overlay	Support 128 x 128 size BMP with 24-bit depth image overlay, zone optional
ROI	ROI support 4 fixed zones or dynamic tracking configuration in any of three streams
Interface	
Audio interface	1 3.5mm audio input (Mic in / Line in) / output external interface
Communication	1 RJ45 10M/100M Ethernet interface/1 RS232
Alarm in/ out	1/ 1
General	
Operating conditions	-30 °C ~ 60 °C (-22 °F ~ 140 °F), humidity 95% or less (non-condensing)
Power supply	DC12V ± 10%, PoE (802.3af)
Power consumption	Max. 6.5W
Dimensions	78x105x32 mm (3.07" x 4.13" x 1.26")
Shipping Weight	2m cable: <570g; 8m cable: <680g
Net Weight	Main body: 210g Cylindrical lens: 113g(2m), 233g(8m) L-shaped lens: 99g(2m), 220g(8m) Package+accessories: 224g



ATM Security

Hikvision DS-2CD6412FWD camera enhances ATM security and operations with reliable, round-the-clock surveillance. Plus HD clarity images for proper identification, even in difficult lighting conditions.



DS-7600NI-VP series ATM Dedicated NVR

- Up to 16 network cameras connection;
- Live view, storage and playback at high resolution;
- HDMI and VGA output, up to Full HD1080p;
- Up to 8-ch synchronous playback;
- Up to 2 SATA support
- 4 independent PoE network interfaces

DS-2CD6412FWD-30

DS-2CD6412FWD-31

1.3MP WDR Single Fixed Lens Tube Camera

1.3MP WDR Dual Fixed Lens Tube Camera

Typical Applications

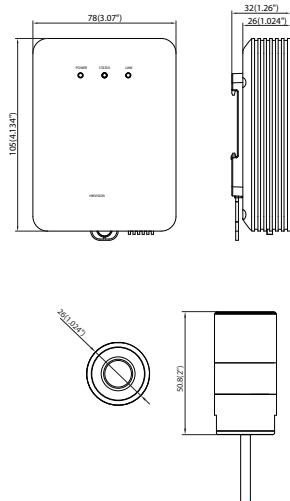
* Product picture and technical specs subject to change without previous notice. For further information, please contact our local sales representatives.



Key Features

- 1280 x 960 high resolution
- 120dB WDR
- ROI codec
- On-board storage, up to 64GB
- Triple video streams
- Rotate mode
- Audio/Alarm IO
- Dual lens unit optional

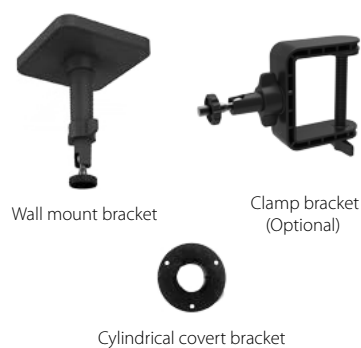
Dimension (unit: mm)



Available Models

DS-2CD6412FWD-30 (Tube sensor unit)
*The wall mount bracket and cylindrical covert bracket are included.

Mounting Accessories



Camera	
Sensor	1/3" Progressive Scan CMOS
Low illumination	Color: 0.01lux @(F1.2, AGC ON) B/W: 0.001lux @(F1.2, AGC ON)
Shutter time	1/1 to 1/100,000 sec
Slow shutter	Support
Lens	4mm @ F2.0, angle of view: 73.1° (2.0mm, 2.8mm, 6mm, optional)
Lens mount	M12
Day & Night	Electronic
DNR	3D DNR
Wide dynamic range	120dB
Number of lens unit	-30: single lens; -31: dual lens
Length of lens cable	2m, 8m optional
Compression Standard	
Video compression	H.264 / MPEG4 / MJPEG
H.264 codec profile	Baseline profile / main profile / high profile
Video bit rate	32Kbps ~ 16Mbps
Audio compression	G.711 / G.726 / MP2L2
Audio bit rate	64Kbps (G.711) / 16Kbps (G.726) / 32-128Kbps (MP2L2)
Network	
Storage	Support Micro SD/SDHC/SDXC slot, up to 64GB; Edge recording, NAS(NFS,SMB/CIFS)
Alarm trigger	Motion detection, face detection, dynamic analysis, tampering alarm, network disconnect, IP address conflicts, storage full, storage error
Protocols	TCP/IP, ICMP, HTTP, HTTPS, FTP, DHCP, DNS, DDNS, RTP, RTSP, RTCP, PPPoE, NTP, UPnP, SMTP, SNMP, IGMP, 802.1X, QoS, IPv6, Bonjour
Standard	ONVIF, PSIA, CGI, ISAPI
Common features	Reset, flickerless, three streams, heartbeat, mirror, password protection, video masking, watermark, anonymous login, IP address filtering
Image	
Max. resolution	1280 x 960
Frame rate (main)	50Hz: 25fps (1280x960), 25fps (1280x720) 60Hz: 30fps (1280x960), 30fps (1280x720)
Frame Rate (the third stream)	Independent from the main stream, the maximum support: 50Hz: 25fps (1280 x 960); 60Hz: 30fps (1280 x 960)
Image Settings	Rotate mode(first channel), saturation, brightness, contrast, sharpness and gray scale adjustable
BLC	Yes, zone optional
Defog	Support
EIS	Support(first channel)
HLC	Support
Day/night mode	Auto / Timing / Alarm trigger
Image overlay	Support 128 x 128 size BMP with 24-bit depth image overlay, zone optional
ROI	ROI support 4 fixed zones or dynamic tracking configuration in any of three streams
Interface	
Audio interface	1 3.5mm audio input (Mic in / Line in) / output external interface
Communication	1 RJ45 10M/100M Ethernet interface/1 RS232
Alarm in/ out	1/ 1
General	
Operating conditions	-30 °C ~ 60 °C (-22 °F ~ 140 °F), humidity 95% or less (non-condensing)
Power supply	DC12V ± 10%, PoE (802.3af)
Power consumption	Max. 6.5W
Dimensions	78x105x32 mm (3.07" x 4.13" x 1.26")
Shipping Weight	2m cable: <570g; 8m cable: <680g
Net Weight	Main body: 210g Tube lens: 129g(2m), 242g(8m) Package+accessories: 224g



Access Control

With its discreet and small form factor, DS-2CD6412FWD camera enables easy integration into very limited spaces, and offers valuable benefits by maintaining HD images of visitors.



Luxurious Store

In Luxurious Store, owners aim to create a harmonious and serene environment for shoppers. Hikvision's DS-2CD6412FWD camera is easily up to this challenge, especially with its compact size.



Cashier Area

An HD IP camera located around cashiers prevent issues of fraud and other instances that waste both time and resources. Limited space has traditionally been a hurdle to install conventional cameras at each right angle; but Hikvision has a recipe to make this better!



Hikvision USA

Tel: +1-909-895-0400

Email: sales@hikvisionusa.com

Hikvision Europe

Tel: +31-23-5542770

Email: saleseuro@hikvision.com

Hikvision Middle East

Tel: +971-4-8847628

Email: salesme@hikvision.com

Hikvision Russia

Tel: +7-812-313-19-63

Email: salesru@hikvision.com

Hikvision India

Tel: +91-22-28469900

Email: sales@pramahikvision.com

Hikvision Italy

Tel: +39-0438-6902

Email: info.it@hikvision.com

Hikvision France

Tel: +33(0)1-85-330-450

Email: info.fr@hikvision.com

Hikvision Spain

Tel: +34 91 737 1655

Email: info.es@hikvision.com

Hikvision Singapore

Tel: +65 6684 4718

Email: sg@hikvision.com

Hikvision Oceania

Tel: +61 2 8599 4233

Email: salesau@hikvision.com

Hikvision Hong Kong

Tel: +852-2151-1761

Email: sales@hikvision.com



Headquarters

No.555 Qianmo Road, Binjiang District, Hangzhou, China

Tel: +86-571-8807-5998 Fax: +86-571-8993-5635

Email: overseasbusiness@hikvision.com

Technical Support: support@hikvision.com